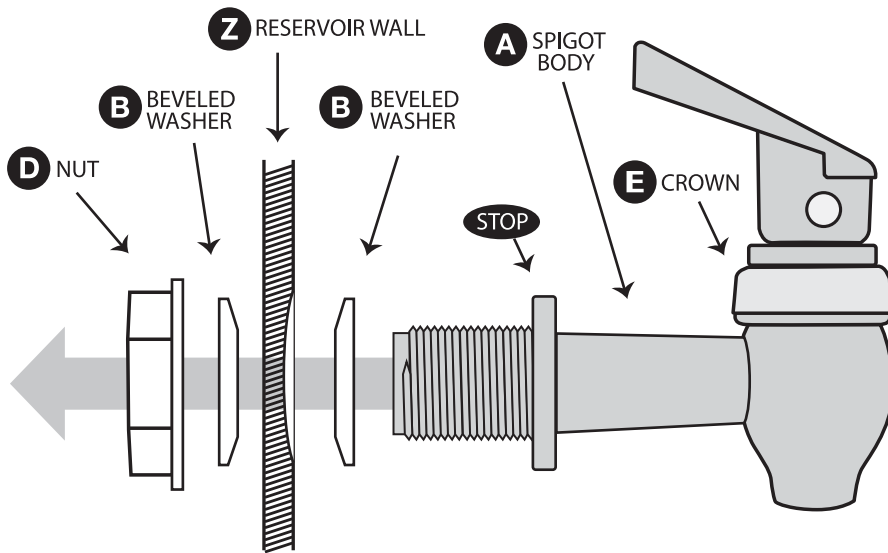


SPIGOT ASSEMBLY DIAGRAM:



ASSEMBLY INSTRUCTIONS:

1. Place BEVELED WASHER **B** onto the SPIGOT BODY **A** with beveled side facing away from spout and slide over threads until it is flush against the "stop" part of the SPIGOT BODY.
2. Insert the SPIGOT threads into the hole in the wall of the RESERVOIR **Z**.
3. Place the BEVELED WASHER **B** over the threads on the SPIGOT BODY with beveled side facing the RESERVOIR hole, and hand tighten the NUT **D** until the BEVELED WASHERS are securely compressed on both sides of the RESERVOIR hole.
DO NOT USE TOOLS - HAND TIGHTEN ONLY. FILL RESERVOIR WITH WATER AND CHECK FOR LEAKS.

SPIGOT TROUBLE SHOOTING:

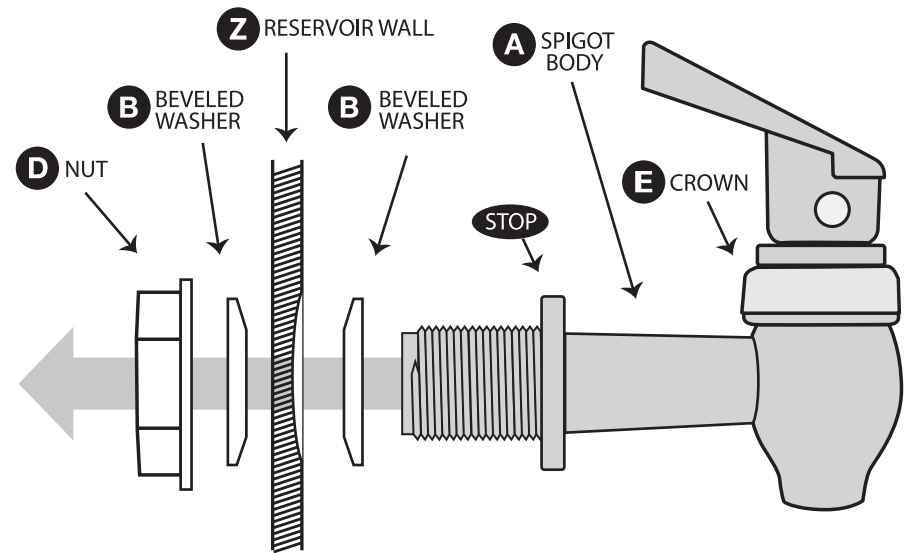
- For a leak/drip from the spigot opening, gently hand tighten the CROWN **E**.
- For a leak at the reservoir hole, loosen the NUT **D**, rotate both washers **B**, and then re-tighten the NUT.

CARE NOTES:

- Use with cold beverages only. Flush spigot with clean water after use.

**IF YOU HAVE QUESTIONS OR DIFFICULTIES - PLEASE
EMAIL BUDDEEZ DIRECTLY AT INFO@BUDDEEZ.COM**

SPIGOT ASSEMBLY DIAGRAM:



ASSEMBLY INSTRUCTIONS:

1. Place BEVELED WASHER **B** onto the SPIGOT BODY **A** with beveled side facing away from spout and slide over threads until it is flush against the "stop" part of the SPIGOT BODY.
2. Insert the SPIGOT threads into the hole in the wall of the RESERVOIR **Z**.
3. Place the BEVELED WASHER **B** over the threads on the SPIGOT BODY with beveled side facing the RESERVOIR hole, and hand tighten the NUT **D** until the BEVELED WASHERS are securely compressed on both sides of the RESERVOIR hole.
DO NOT USE TOOLS - HAND TIGHTEN ONLY. FILL RESERVOIR WITH WATER AND CHECK FOR LEAKS.

SPIGOT TROUBLE SHOOTING:

- For a leak/drip from the spigot opening, gently hand tighten the CROWN **E**.
- For a leak at the reservoir hole, loosen the NUT **D**, rotate both washers **B**, and then re-tighten the NUT.

CARE NOTES:

- Use with cold beverages only. Flush spigot with clean water after use.

**IF YOU HAVE QUESTIONS OR DIFFICULTIES - PLEASE
EMAIL BUDDEEZ DIRECTLY AT INFO@BUDDEEZ.COM**